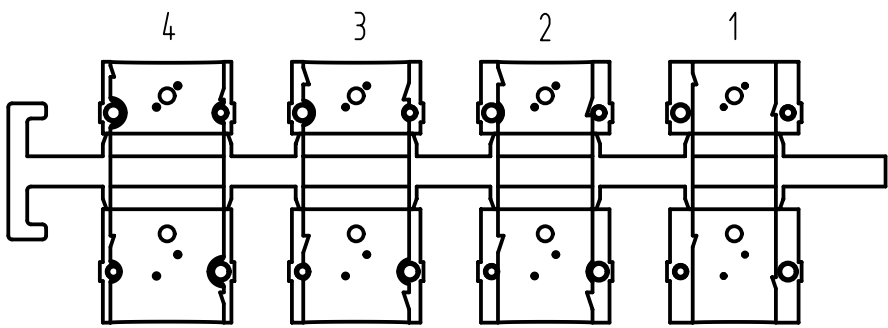
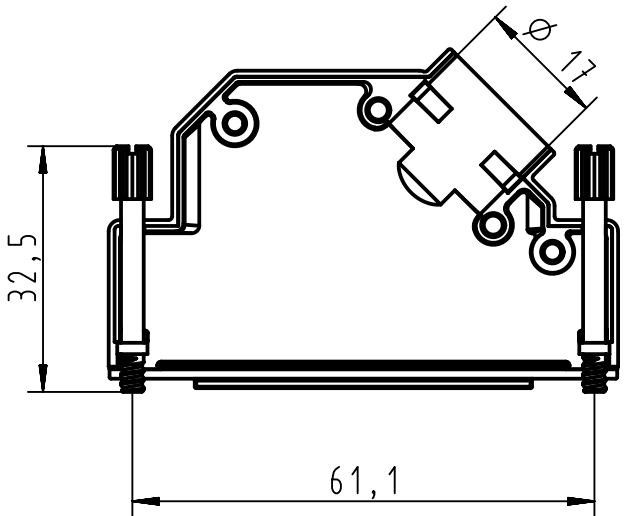
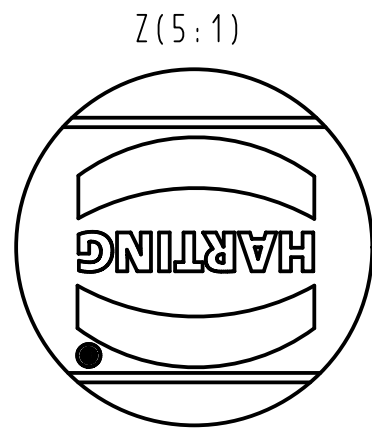
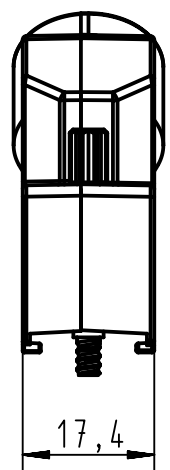
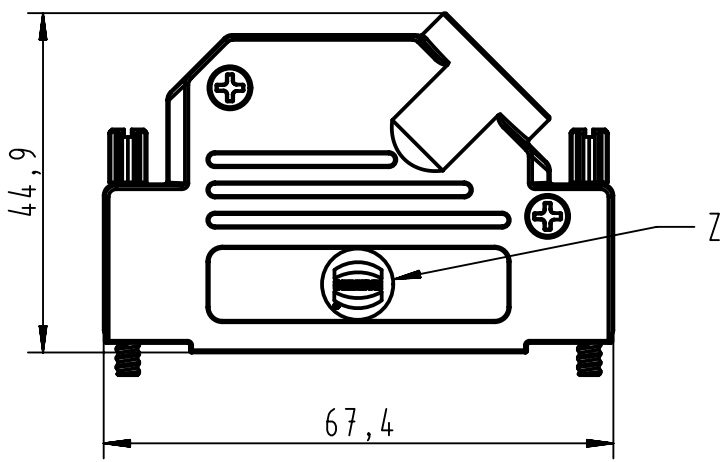


1 2 3 4 5 6

A  
B  
C  
D



Grommet dimensions	
Number	Diameter D
1	Ø 11
2	Ø 12,5
3	Ø 14
4	Ø 15

	All rights reserved Department EC PD - FR	All Dimensions in mm Original Size DIN A4		Scale 1:1	Free size tol.	Ref.	
		HARTING Electronics GmbH D-32339 Espelkamp	Created by DOUGE	Inspected by BAGDIKIAN	Standardisation KOHLER	Date 2013-01-29	State Final Release
Part number 09 67 050 0336 M3 screw thread		Title D-Sub Hood 50P side netry full metal				Doc-Key / ECM-Nr. 100521364/UGD/001/A 500000056836	
		Type TB	Number 09670500336		Rev. A	Page 1/1	